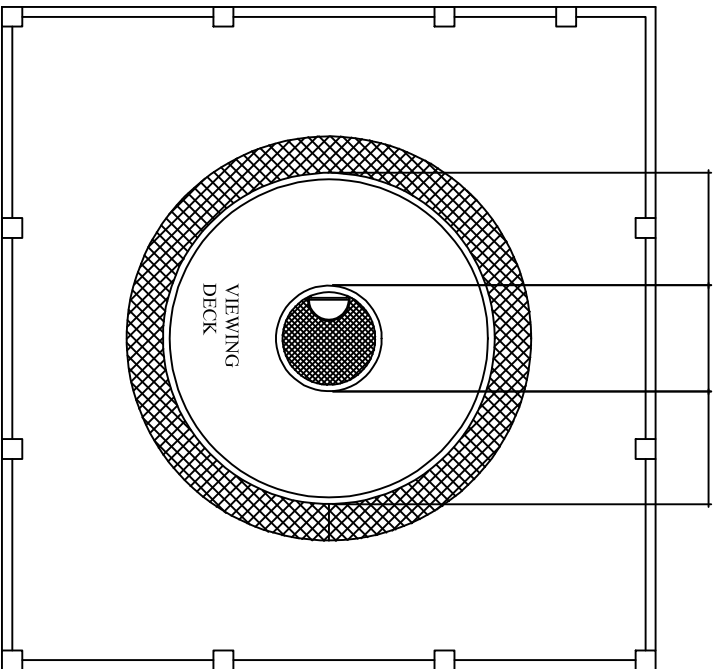


GROUND FLOOR PLAN



TOP VIEW

DRAWING NUMBER 2